

Overview

888D and 889D hazardous location horns are diode-polarized, heavy duty, high decibel vibrating horns intended for use in life safety systems in hazardous (classified) and outdoor locations. These horns may be mounted to any solid surface using two bolts (by others).

Each unit is supplied with a sealing fitting for 3/4-inch -14 National Pipe Taper (NPT) nipple, and wire leads for the electrical connection to the life safety system notification appliance circuit.

Standard Features

- Diode polarized
- Corrosion resistant heat flowed epoxy finish – red
- Low current drain
- UL listed for outdoor locations

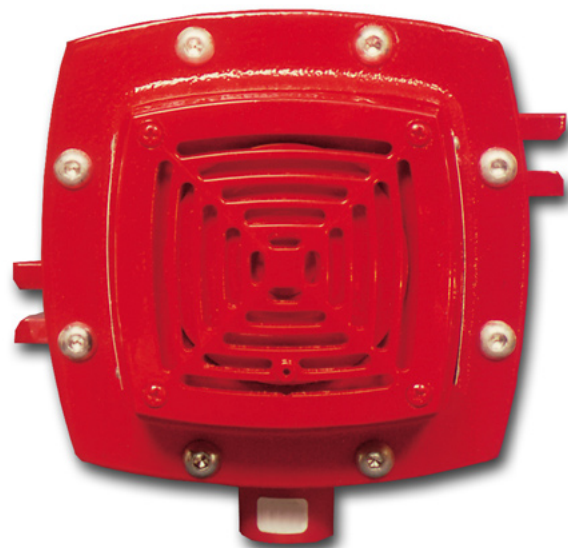
Application

888D and 889D hazardous location horns are UL-listed for installation in the following classified locations:

- Class I groups B, C and D
- Class II groups E, F and G
- Class III hazardous locations, for Div. 1 and 2

Hazardous Location Horns

888D-N5 & 889D-AW



U.S.
T 888-378-2329
F 866-503-3996

Canada
T 519 376 2430
F 519 376 7258

Asia
T 852 2907 8108
F 852 2142 5063

Australia
T 61 3 9259 4700
F 61 3 9259 4799

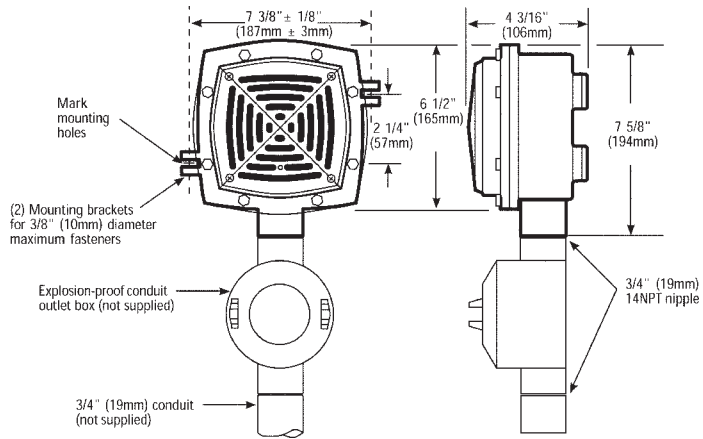
Europe
T 32 2 725 11 20
F 32 2 721 86 13

Latin America
T 305 593 4301
F 305 593 4300

www.gesecurity.com/est

© 2006 General Electric Company
All Rights Reserved

Mounting



Specifications

Catalog Number	888D-N5	889D-AW
Rated Voltage	120 Vac	24 Vdc
Alarm Current	0.13A	0.16A
Sound output	100 dBA measured in an anechoic chamber on an "A" weighted decibel scale at 10 ft (3m)	

Ordering Information

Catalog Number	Description	Ship Wt.
888D-N5	Hazardous location horn – 120 Vac	9.0 lb. (4.1 kg.)
889D-AW	Hazardous location – 24 Vdc	



imagination at work