

TS1044 Power Distribution Board Installation Sheet

Description

The TS1044 Power Distribution Board provides five sets of additional terminals for RS-485 LAN and power.

The TS1044 is used to connect branches of a “star” LAN, where multiple LAN cable runs are used in a branched configuration.

The TS1044 is a standard Tecom B board size and provides a Power OK LED for easy diagnosis.

Product contents

| Quantity | Item |
|---------------|---------------------------------|
| 1 | TS1044 Power Distribution Board |
| 12 | Two-way plug-on sockets |
| 4 | Standoffs |
| 4 | M3 pan head screws |
| <hr/> | |
| Weight | 80 g |

Inspect the package and contents for visible damage. If any components are damaged or missing, do not use the unit; contact the supplier immediately. If you need to return the unit, you must ship it in the original box.

Installation

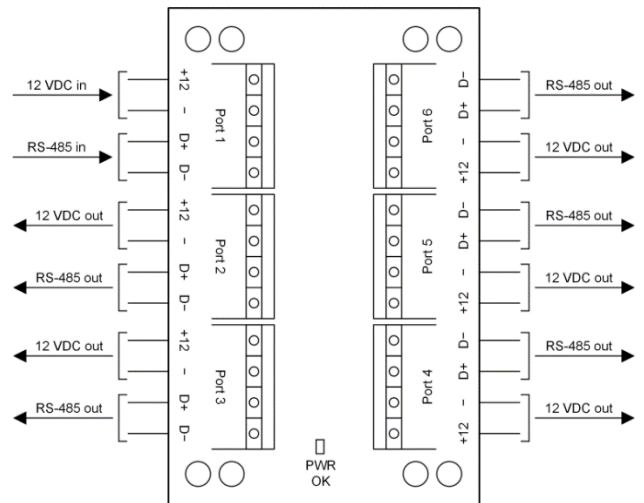
NOTICE! A qualified service person, complying with all applicable codes, should perform all required hardware installation.

To install the TS1044:

- Mount the TS1044 PCB inside the enclosure using the supplied screws and standoffs.
- Connect cables for RS-485 LAN input (D+ and D-) and 12 VDC power input (+12 and -).
The power input may range from 9 to 14 VDC. Any of the six ports may be used for input. For example, Figure 1 below shows Port 1 being used for input.
- Connect cables for RS-485 LAN output (D+ and D-) and power output (+12 and -) to the remaining ports as required.

Note: The RS-485 LAN terminals (D+ and D-) may also be used for power. For example, power input at the RS-485 LAN terminals of Port 1 results in power output at the RS-485 LAN terminals of the remaining ports.


Figure 1: TS1044 wiring example



Regulatory information

Manufacturer Made in China by United Technologies Safety Systems No. 80, Changjiang East Road, QETDZ, Qinhuangdao, Hebei, P. R. China 066004
Imported by UTC Fire & Security Australia Pty Ltd t/a Interlogix
10 Ferntree Place
Notting Hill, Victoria, 3168, Australia

Year of manufacture The first two digits of the product serial number (located on the product identification label) are the year of manufacture.

Compliance 

NOTICE! This is a Class B product. In a domestic environment this product may cause radio interference in which case the user may be required to take adequate measures.

Disclaimer

The customer is responsible for testing to determine the suitability of this product for specific applications. In no event is Interlogix responsible or liable for any damages incurred by the buyer or any third party arising from its use, or their inability to use the product.

Contact information

For contact information, see www.interlogix.com.au.